

Pig T-Fittings

Product Features:

- Finished out of pipe din 2430-1 and din 11850
- Inner roughness Ra <0.8µm
- Branch pipe regenerated around a nominal size
- Cross piece in branch pipe for the pig lead
- The pig passes the T-fitting without increased pressure from the propellant
- Branch pipes on KIESEL Pigs are customized
- Can be delivered with weld-on ends and Flanges
- Can be delivered, on request, with screw connections, couplings, or arbitrary combinations of pipe connections
- In the branch pipe, direct welded Ball valves or butterfly valves are possible

Material:

- Stainless steel 1.4307- ISO 304 L - 1.4541
- Stainless steel 1.4404- ISO 316 L - 1.4571

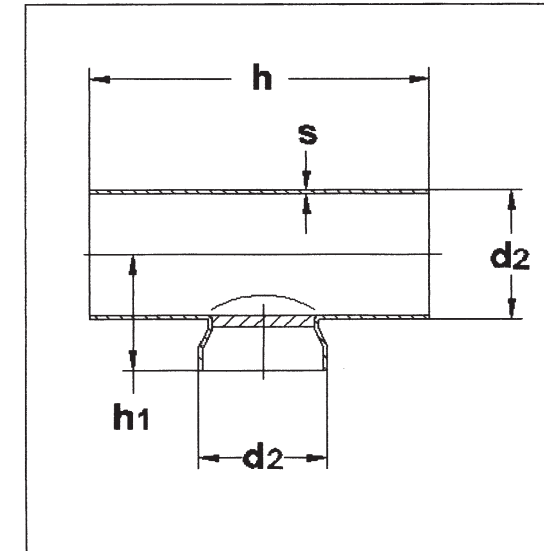
Applications:

Piggable pipeline in chemical process technology, cosmetic industry, food industry, beverage industry, petfood industry, chocolat industry and Pharmaceutical.

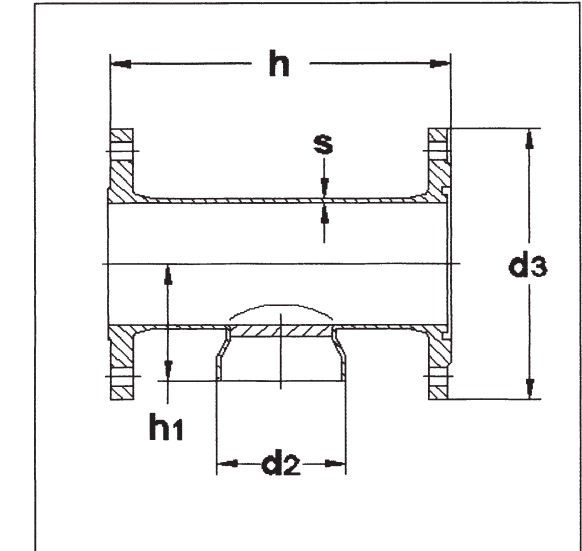


Pig T-Fittings

T-Fitting S-S-S



T-Fitting FI-S-FI



Pipe according to DIN 2430-1

DN	d2	s	h	h1	Material	Article-No.
25	33,7	2,0	100	31	1.4307/ 304 L 1.4404/ 316 L	29321 29322
32	42,4	2,0	110	35	1.4307/ 304 L 1.4404/ 316 L	29323 29324
50	60,3	2,9	140	54	1.4307/ 304 L 1.4404/ 316 L	29320 13456
65	76,1	2,9	160	69	1.4307/ 304 L 1.4404/ 316 L	29325 29326
80	88,9	3,2	180	75	1.4307/ 304 L 1.4404/ 316 L	29327 14950
100	114,3	3,6	200	100	1.4307/ 304 L 1.4404/ 316 L	17692 29328
125	139,7	3,0	375	120	1.4307/ 304 L 1.4404/ 316 L	29329 29330
150	168,3	4,5	450	133	1.4307/ 304 L 1.4404/ 316 L	29331 29332

Pipe according to DIN 2430-1
Flanges according to DIN 2430-2

DN	d2	s	h	h1	d3	Material	Article-No.
25	33,7	2,0	171	31		1.4307/ 304 L 1.4404/ 316 L	29350 29351
32	42,4	2,0	186	35	140	1.4307/ 304 L 1.4404/ 316 L	29360 29361
50	60,3	2,9	224	54	165	1.4307/ 304 L 1.4404/ 316 L	29352 29353
65	76,1	2,9	244	69	185	1.4307/ 304 L 1.4404/ 316 L	29362 29363
80	88,9	3,2	274	75	200	1.4307/ 304 L 1.4404/ 316 L	29354 29355
100	114,3	3,6	298	100	220	1.4307/ 304 L 1.4404/ 316 L	29356 29357
125	139,7	3,0	479	120	250	1.4307/ 304 L 1.4404/ 316 L	29364 29365
150	168,3	4,5	554	133	285	1.4307/ 304 L 1.4404/ 316 L	29358 29359

Pipe according to 11850

DN	d2	s	h	h1	Material	Article-No.
50	54	2,0	140	52	1.4307/ 304 L 1.4404/ 316 L	26780 13054
65	70	2,0	160	68	1.4307/ 304 L 1.4404/ 316 L	29342 24765
80	85	2,0	180	63	1.4307/ 304 L 1.4404/ 316 L	29343 29344
100	104	2,0	200	90	1.4307/ 304 L 1.4404/ 316 L	29345 20229
125	129	2,0	375	114	1.4307/ 304 L 1.4404/ 316 L	29346 29347
150	154	2,0	450	126	1.4307/ 304 L 1.4404/ 316 L	29348 29349

Pipe according to 11850
Aseptic-small Flanges

DN	d2	s	h	h1	d3	Material	Article-No.
50	54	2,0	183	52	110	1.4307/ 304 L 1.4404/ 316 L	29366 29367
65	70	2,0	203	68	128	1.4307/ 304 L 1.4404/ 316 L	29368 29369
80	85	2,0	223	63	148	1.4307/ 304 L 1.4404/ 316 L	29370 29371
100	104	2,0	251	90	168	1.4307/ 304 L 1.4404/ 316 L	29372 29373
125	129	2,0	426	114	190	1.4307/ 304 L 1.4404/ 316 L	29374 29375
150	154	2,0	501	126	215	1.4307/ 304 L 1.4404/ 316 L	29376 29377