

Product Features:

- Fitting with round threads according to DIN 405
- Nominal pressure to 16 bar
- Sealing through O-rings in the following grades: Silicon, NBR, EPDM, Viton and Viton-FEP sheeted
- O-ring cut-in is positioned on the foremost edge, thereby aseptic cleaning can occur
- Orbital weldable for pipe DIN 11850 and DIN 2430
- Leak-proof system in accordance to DIN 11864 can also be delivered



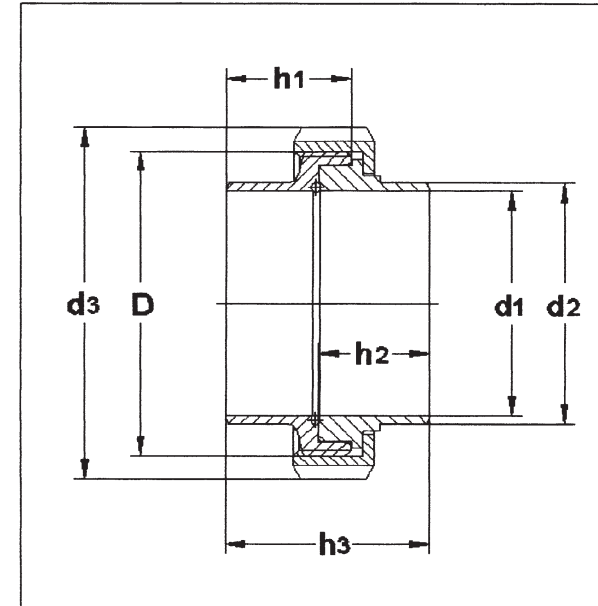
Material:

Stainless steel 1.4307- ISO 304 L - 1.4541
 Stainless steel 1.4404- ISO 316 L - 1.4571

Applications:

For piggable pipeline parts and/or fittings, which must be dismantled more frequently. Application in chemical process technology, cosmetic industry, food industry, pharmaceutical.

Thread connection – Liner connection – Nut – O-Ring



Pipe DIN 2430

DN	d1	d2	d3	D	h1	h2	h3	O-Ring	Material	Article No. Thread Connection	Article No. liner Connection	Article No. Groove nut Connection
25	29,7	33,7	63	RD 52x1/6"	29	26	44,5	32,92x3,53	1.4307/ 304 L 1.4404/ 316 L	29469 29470	29482 29483	1186
32	38,4	42,4	78	RD 65x1/6"	33	26	48,5	38x2,5	1.4307/ 304 L 1.4404/ 316 L	29468 20393	29481 20365	1188
50	54,5	60,3	92	RD 78x1/6"	35	28	52,5	56,74x3,53	1.4307/ 304 L 1.4404/ 316 L	29471 29472	28478 20368	1189
65	70,3	76,1	112	RD 95x1/6"	40	32	60,5	75,57x3,53	1.4307/ 304 L 1.4404/ 316 L	29473 29474	29484 29485	1191
80	82,5	88,9	127	RD 110x1/4"	45	40	73,5	85,32x3,53	1.4307/ 304 L 1.4404/ 316 L	29475 29476	28487 27886	1192
100	107,1	114,3	148	RD 130x1/4"	54	44	84	110,72x3,53	1.4307/ 304 L 1.4404/ 316 L	29477 29478	29489 29490	1193

Pipe DIN 11850

DN	d1	d2	d3	D	h1	h2	h3	O-Ring	Material	Article No. Thread Connection	Article No. liner Connection	Article No. Groove nut Connection
50	50	54	92	RD 78x1/6"	35	28	52,5	50x2,5	1.4307/ 304 L 1.4404/ 316 L	7311 20384	7312 22045	1189
65	66	72	112	RD 95x1/6"	40	32	60,5	66x3,0	1.4307/ 304 L 1.4404/ 316 L	7313 20386	7314 20371	1191
80	81	87	127	RD 110x1/4"	45	40	73,5	80x3,5	1.4307/ 304 L 1.4404/ 316 L	24867 20548	29486 20550	1192
100	100	106	148	RD 130x1/4"	54	44	84	100x3,0	1.4307/ 304 L 1.4404/ 316 L	20546 29479	29488 20543	1193