

# Piggable Clamp Flange Connection

## Product Features:

- Clamp flange centered with bracket
- Pipe and/or fitting can be radially extended
- Nominal pressure to 16 bar
- Sealing through O-rings in the following grades: NBR, EPDM, Viton and FEP-Teflon shell
- Orbital weldable for pipe DIN 11850 and DIN 2430

## Material:

Stainless steel 1.4307 - ISO 304 L - 1.4541  
 Stainless steel 1.4404 - ISO 316 L - 1.4571

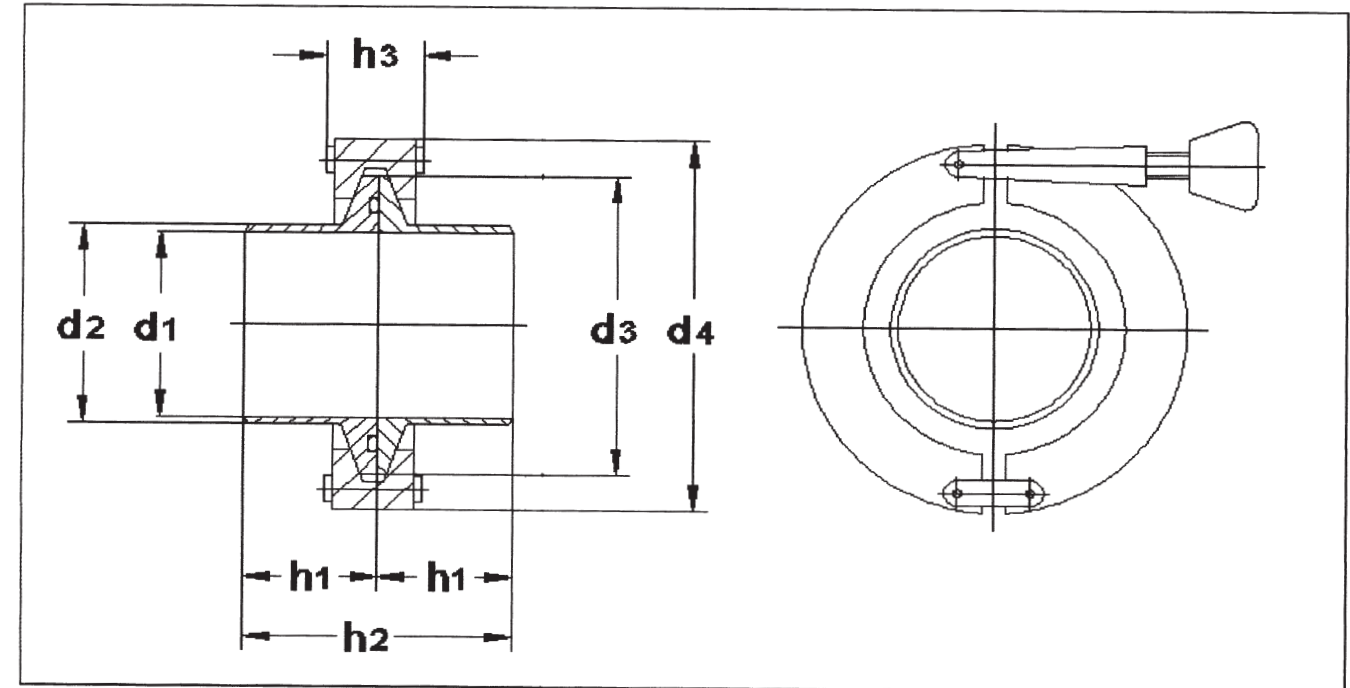
## Applications:

For piggable pipeline parts and/or fittings, which must be dismantled more frequently. Application in chemical process technology, cosmetic industry, food industry, pharmaceutical.



# Piggable Clamp Flange Connection

Clamp Flange with groove – Clamp Flange Smooth – Bracket – O-Ring



Pipe DIN 2430

DN	d1	d2	d3	d4	h1	h2	h3	O-Ring	Material	Article No. Clamp Fl. W/ groove	Article No. Clamp Fl. smooth	Article No. Bracket
25	29,7	33,7	53,8	72	30	60	25	34,52x3,53	1.4307/ 304 L 1.4404/ 316 L	20254	19264	18253
32	38,4	42,4	66,8	85	30	60	25	51,71x3,53	1.4307/ 304 L 1.4404/ 316 L	29515	29514	19969
50	54,5	60,3	80,8	100	35	70	25	59,92x3,53	1.4307/ 304 L 1.4404/ 316 L	20258	20251	19947
65	70,3	76,1	93,8	115	40	80	25	75,79x3,53	1.4307/ 304 L 1.4404/ 316 L	29519	29516	19949
80	82,5	88,9	122,8	140	45	90	25	94,84x3,53	1.4307/ 304 L 1.4404/ 316 L	20029	29517	20130
100	107,1	114,3	140,8	165	50	100	30	120,25x3,53	1.4307/ 304 L 1.4404/ 316 L	29520	29518	19948

Pipe DIN 11850

DN	d1	d2	d3	d4	h1	h2	h3	O-Ring	Material	Article No. Clamp Fl. W/ groove	Article No. Clamp Fl. smooth	Article No. Bracket
50	50	54	80,8	100	35	70	25	59,92x3,53	1.4307/ 304 L 1.4404/ 316 L	20257	12524	19947
65	66	70	93,8	115	40	80	25	75,79x3,53	1.4307/ 304 L 1.4404/ 316 L	29523	29524	19949
80	81	85	122,8	140	45	90	25	94,84x3,53	1.4307/ 304 L 1.4404/ 316 L	29525	29526	20130
100	100	106	140,8	165	50	100	30	120,25x3,53	1.4307/ 304 L 1.4404/ 316 L	29527	29528	19948